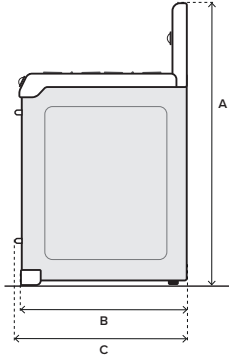
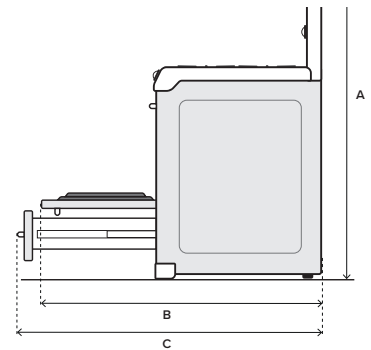


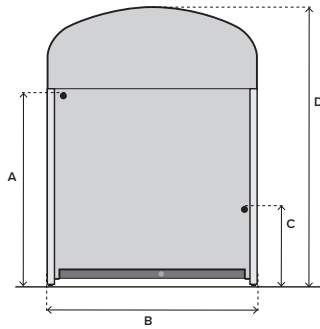
<b>A</b>	Height to top of crown	49"
<b>B</b>	Height to top of cooking surface	37 ¼"
<b>C</b>	Width	36 ¼"



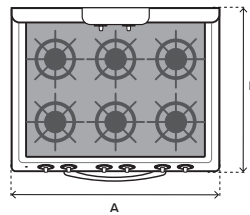
<b>A</b>	Height to top of crown	49"
<b>B</b>	Depth	28 ½"
<b>C</b>	Depth including handles	30 ½"



<b>A</b>	Height to top of crown	49"
<b>B</b>	Depth with oven door open 90°	47"
<b>C</b>	Depth with drawer open fully	50 ⅝"



<b>A</b>	Gas connection 33" off the ground; 3 ½" in from the right side of the range
<b>B</b>	Width 36 ¼"
<b>C</b>	Power cord placement 12" above floor on left side



<b>A</b>	Width	36 ¼"
<b>B</b>	Depth	28 ½"
<b>Burner Configuration:</b>		
Front (L to R): 15,000 BTU, 12,000 BTU, 15,000 BTU		
Rear (all): 8,000 BTU		

**OVEN**

Fuel	Electric
Capacity (cu. ft.)	5.0
Width	31
Height	15 ½"
Depth	18"
Delayed Start Baking/Cleaning	Yes
Variable Temperature Broil	Yes
Door-Activated Light with Override	Halogen
Commercial-Grade Plated Racks	Yes
True Convection	Yes

**RANGETOP**

Gas: Sealed Surface Burners with cast grates	Yes
8,000 BTU Gas Burners (Rear)	3
15,000 BTU Gas Burners (Front Left)	1
15,000 BTU Gas Burners (Front Right)	1
12,000 BTU Gas Burners (Front Center)	1
Electronic Spark with Re-ignition	Yes

**POWER RATING**

Power Source (208 to 250V) appliance rating	220V-40A
Power Ratings NG (BTU's)	66,000
Power Ratings LP (BTU's)	59,400

**SHIPPING WEIGHT**

375 lbs