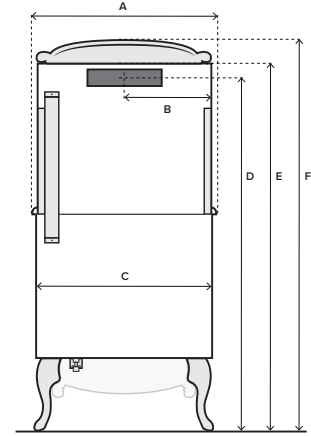
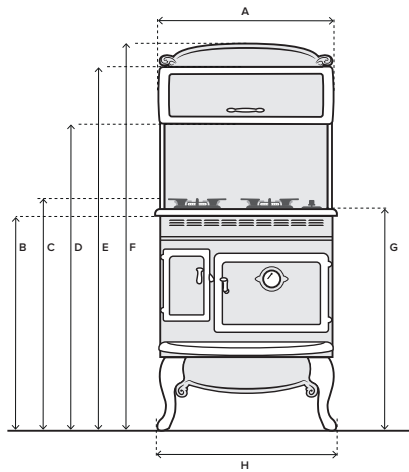
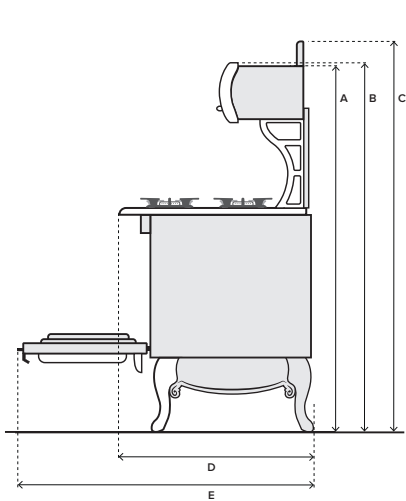


1870



A	Height to top of upper cabinet door frame*	63 7/8"
B	Height to top of upper cabinet*	63 1/2"
C	Height to top of cresting*	67 7/8"
D	Depth from back wall to front of trim rail	30 1/4"
F	Depth with oven door open	48 1/2"

* Subtract 2 inches from all height values if the short leg option is used.

A	Width of upper cabinet	29 1/2"
B	Height to bottom of trim rail*	36 1/2"
C	Height to gas cook surface*	39 3/4"
D	Height to bottom of Upper Cabinet*	53 1/2"
E	Height to top of Upper Cabinet Door Frame*	63 7/8"
F	Height to top of Crest*	67 7/8"
G	Height to top of trim rail*	37 3/4"
H	Width of Legs	30 1/2"

* Subtract 2 inches from all height values if the short leg option is used.

A	Width of trim rail	30 1/2"
B	Width to middle of exhaust outlet	15 3/8"
C	Width of main body of range	29 1/2"
D	Height to center of exhaust outlet*	62 1/2"
E	Height to top of upper cabinet*	63 7/8"
F	Height to top of crest*	67 7/8"

* Subtract 2 inches from all height values if the short leg option is used.

OVEN

Electric Self-Cleaning Convection Oven (4.0 cu. ft.) Oven Size: 25" W x 16" H x 16 5/16" D	Yes
Electronic Oven Control	Yes
Delayed Start Baking	Yes
Dual Element Baking	Yes
Vari. Temp. Broil	Yes
Door Activated Oven Light	Yes
Heavy Duty, Plated Oven Racks	Yes

POWER RATING

Power Source (208 to 250V) appliance rating	240V-30A
Power Ratings NG (BTU's)	43,000
Power Ratings LP (BTU's)	38,700

SHIPPING WEIGHT

400 lbs

RANGETOP

Gas: Sealed Surface Burners with cast grates	Yes
Converts to L.P. (Propane)	Yes
Gas Top Burners, 8,000* BTU	2
Gas Top Burners, 12,000* BTU	1
Superburner, 15,000* BTU	1
Electronic Spark with Re-ignition	Yes
Easy Clean Cooktop	Yes

UPPER CABINET

350 CFM Exhaust Fan standard (recirculating and outside vent)	Yes
485 CFM Wall Mounted Exhaust Fan (outside mount, outside vent)	Optional
520 CFM In-line Exhaust blower (outside vent only)	Optional
Cooking Surface Light, Night Light	Yes
"Feather Touch" Tempered Glass Oven Control Panel	Yes



elmirastoveworks.com

Continues on next page...

RANGE HOOKUPS

Electrical Cords and Gas Line Connections

Electrical receptacles and gas piping should be located in the center of the opening, approximately 6" above the floor.

RANGE EXHAUST LOCATION

(See owner's manual for more detail.)

The rectangular duct opening in the back of the cabinet is centered 62 ¼" from the floor (60 ¼" with optional short legs) and 15 ¾" in from the left side of the range cooktop. If you are ducting the exhaust into a rectangular duct in the wall behind the stove, the drywall opening should be 3 ¾" X 10".

If you require an inline or outside wall-mounted blower, please specify when ordering the range (it will be built differently).

If you wish to create an antique "stovepipe" look, Elmira can cut a round hole in the top of the upper cabinet, to which your stove (vent) pipe can be attached. This option requires the optional inline blower.