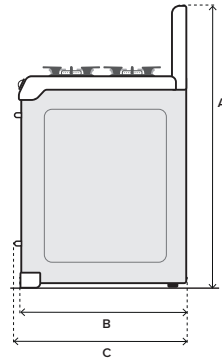
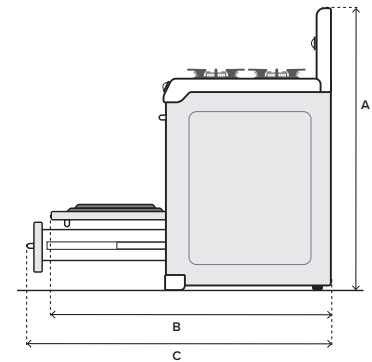


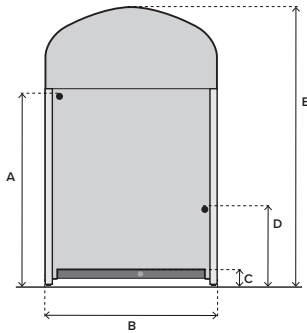
A	Height to top of cooking surface	36"
B	Height to top of grates	38"
C	Height to top of crown	49"
D	Width	30 ¼"



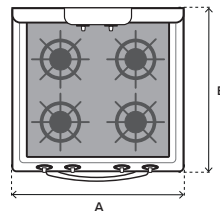
A	Height to top of crown	49"
B	Depth	28 ½"
C	Depth including handles	30 ½"



A	Height to top of crown	49"
B	Depth with oven door open 90°	47"
C	Depth with drawer open fully	50 ⅛"



A	Height to top of cooking surface	36"
B	Width	30 ¼"
C	Gas connection 1956 centered on range just above floor level, 2" in from back of range	
D	Power cord placement 12" above floor on left side	
E	Height to top of crown	49"



A	Width	30 ¼"
B	Depth	28 ½"
Burner configuration:		
Front (L to R): 12,00 BTU, 15,000 BTU		
Rear (both): 8,000 BTU		

OVEN

Fuel	Electric
Capacity (cu. ft.)	4.0
Width	25
Height	16"
Depth	16 5/16"
Delayed Start Baking/Cleaning	Yes
Variable Temperature Broil	Yes
Door-Activated Light with Override	Halogen
Commercial-Grade Plated Racks	Yes
True Convection	Yes

**STAINLESS STEEL WARMER DRAWER
(BECOMES STORAGE WHEN NOT IN USE)**

Located in lower drawer	Optional
-------------------------	----------

Dimensions 26 3/4" W × 22 1/2" D × 5 3/8" H

RANGETOP

Gas: Sealed Surface Burners with cast grates	Yes
8,000 BTU Gas Burners (Rear)	2
15,000 BTU Gas Burners (Front Left)	1
15,000 BTU Gas Burners (Front Right)	1
Electronic Spark with Re-ignition	Yes

POWER RATING

Power Source (208 to 250V) appliance rating	220V-25A
---	----------

SHIPPING WEIGHT

315 lbs
